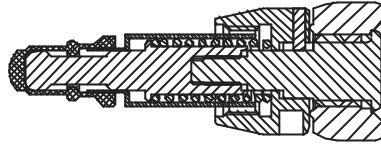
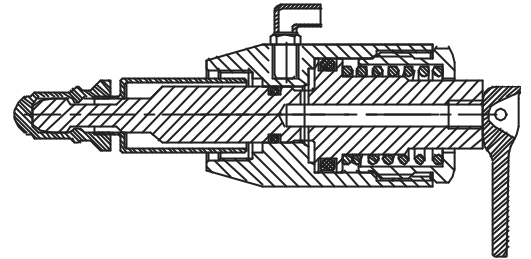


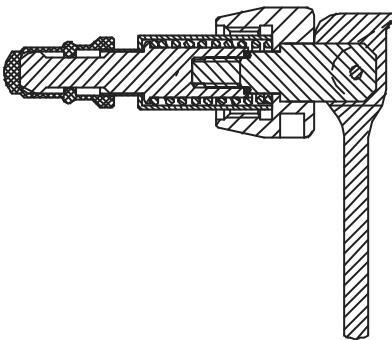
Valve head Type H
Item no. : 400041/
405541



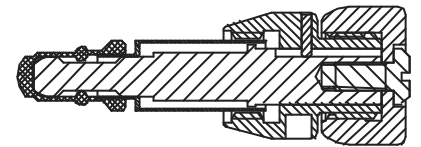
Valve head Type N
Item no.: 400044/
405544



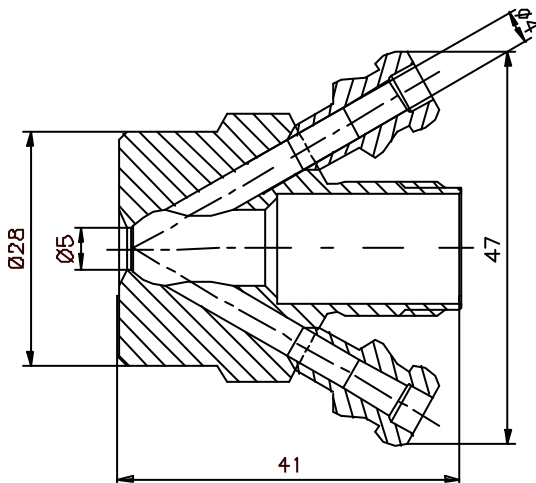
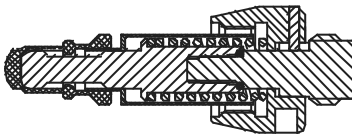
Valve head Type Q
Item no.: 400043/
405543



Valve head Type B
Item no.: 400047/
405547



Valve head Type K
Item no.: 400042/
405542



Where to use :	Tanks
Installation:	Welding
Temp. range:	1 ⁰ C - 130 ⁰ C
Max. working pressure:	Depends on choice of valve head.

**Inlet/outlet connections
Standard**

Keofitt hose piece
Inside- ISO conus 6:100

Optional

M12x0.75 mm

Other Data:

Material: AISI 316L (1.4404)
Inner surface: Ra 0.5 µm
Material certificate: 3.1.B
Electropolish outside standard
EHEDG test report
3A-certificate

