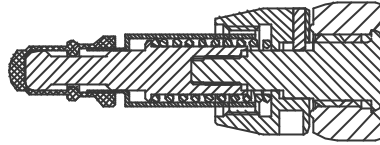
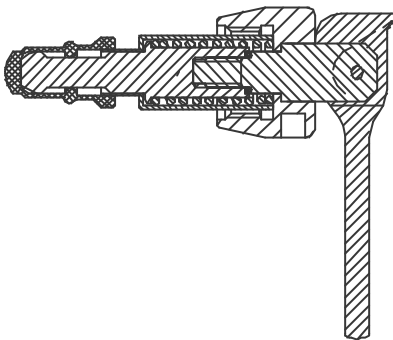


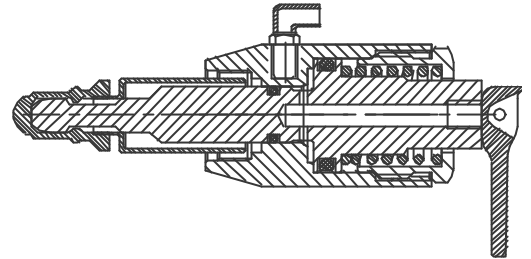
Valve head Type H
Item no.: 400041/
405541



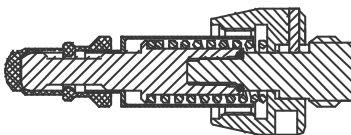
Valve head Type Q
Item no.: 400043/
405543



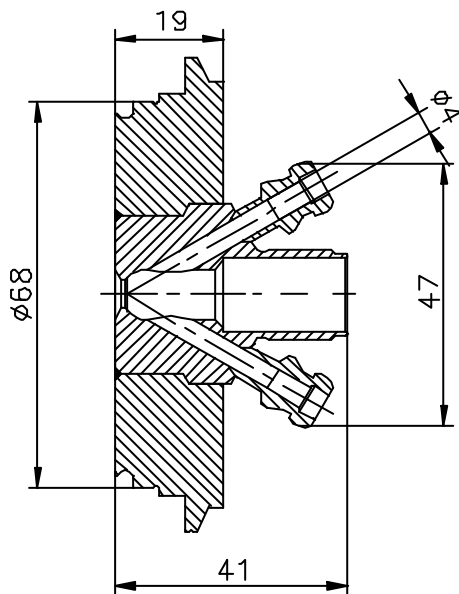
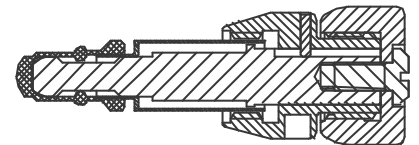
Valve head Type N
Item no.: 400044/
405544



Valve head Type K
Item no.: 400042/
405542



Valve head Type B
Item no.: 400047/
405547



Where to use : Pipes
Installation: Varivent® in-line access unit.
Temp. range: 1⁰ C - 130⁰ C
Max. working pressure: Depends on choice of valve head.
Option: Ø50 (item no. 400010)

Inlet/outlet connections
Standard

Keofitt hose piece
Inside- ISO conus 6:100

Optional

M12x0.75 mm

Other Data:

Material: AISI 316L (1.4404)
Inner surface: Ra 0.5 µm
Material certificate: 3.1.B
Electropolish outside standard
EHEDG test report
3A-certificate

