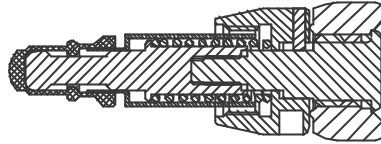
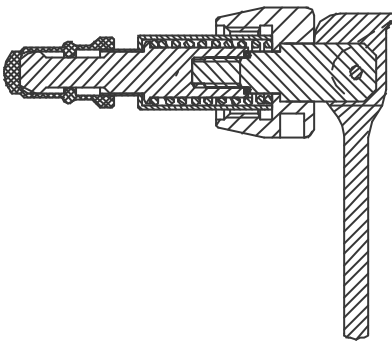


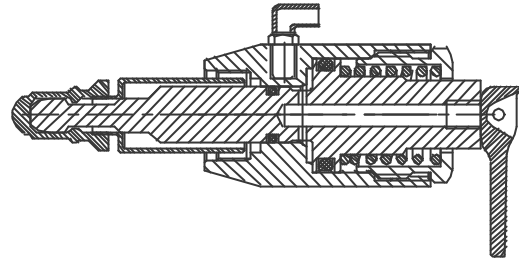
Valve head Type H  
Item no.: 400041/  
405541



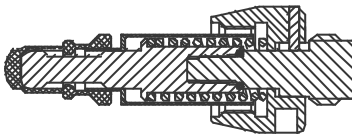
Valve head Type Q  
Item no.: 400043/  
405543



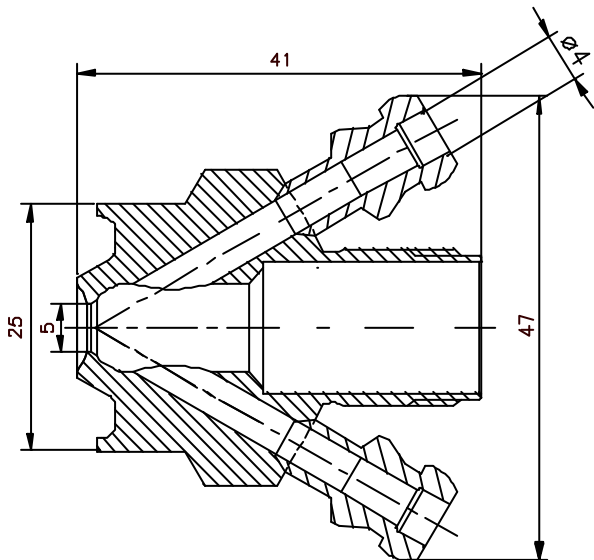
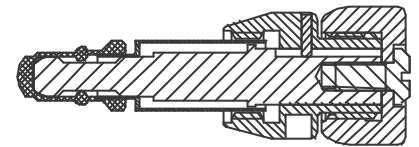
Valve head Type N  
Item no.: 400044/  
405544



Valve head Type K  
Item no.: 400042/  
405542



Valve head Type B  
Item no.: 400047/  
405547



Where to use :	Pipes
Installation:	Welding
Temp. range:	1 <sup>0</sup> C - 130 <sup>0</sup> C
Max. working pressure:	Depends on choice of valve head.
Optional dimension:	NW 25

**Inlet/outlet connections**  
**Standard**

Keofitt hose piece  
Inside- ISO conus 6:100

**Optional**

M12x0.75 mm

**Other Data:**

Material: AISI 316L (1.4404)  
Inner surface: Ra 0.5 µm  
Material certificate: 3.1.B  
Electropolish outside standard  
EHEDG test report  
3A-certificate

