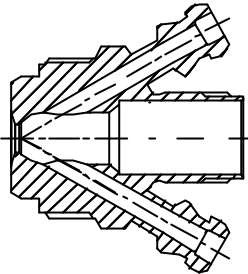
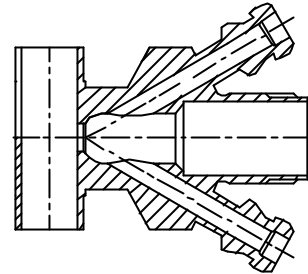


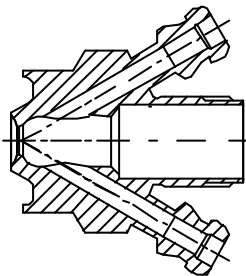
Valve body Type S  
Item no.: 400031



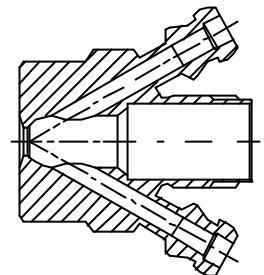
Valve body Type P  
Item no.: 400017



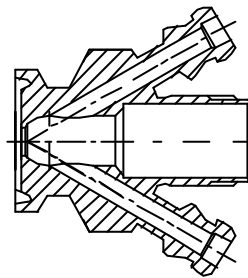
Valve body Type P  
Item no.: 400011



Valve body Type T  
Item no.: 400001



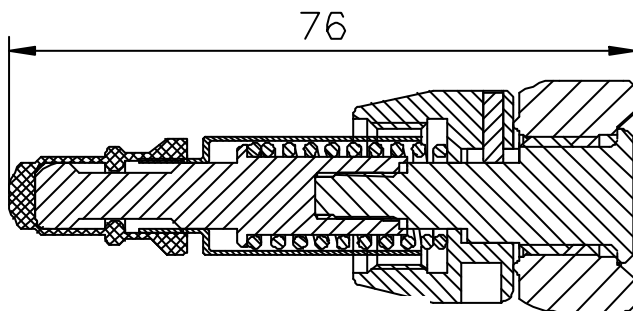
Valve body Type C  
Item no.: 400021



**Available with:**



- PTFE (TFM 1600) membrane  
Item no. 400055  
Complete head 405541
- EPDM membrane  
Item no. 400052
- Silicone membrane  
Item no. 400051



**Other Data:**

Material: Steel parts AISI 301/303/316L  
PEHD/black  
Membranes: FDA approved compounds.  
EHEDG test report  
3A-certificate

Where to use : All types of M4 valve bodies.  
How to use : Manually operated.  
Temp. range: 1<sup>0</sup> C - 130<sup>0</sup> C  
Max. working pressure: 0 - 6 bar (g)