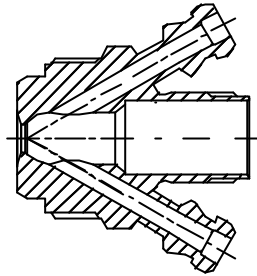
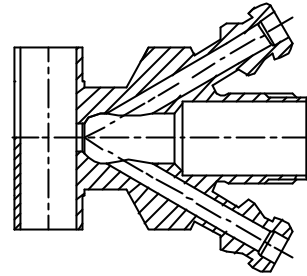


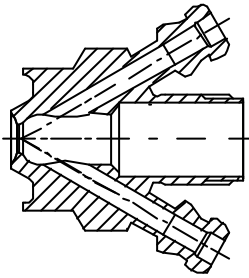
Valve body Type S  
Item no.: 400031



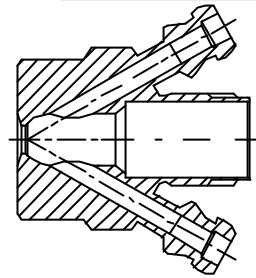
Valve body Type P  
Item no.: 400017



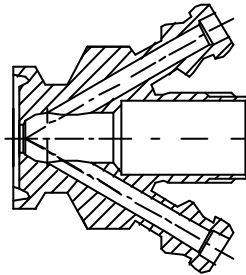
Valve body Type P  
Item no.: 400011



Valve body Type T  
Item no.: 400001



Valve body Type C  
Item no.: 400021



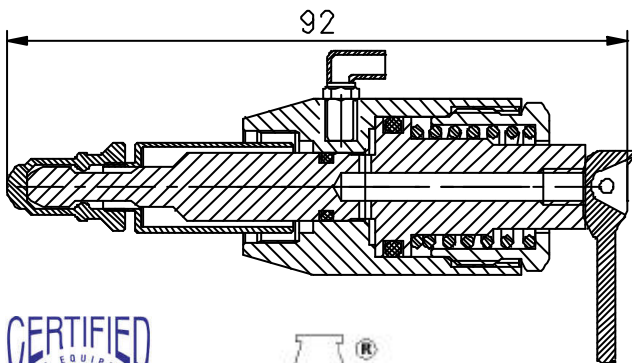
**Available with:**



- PTFE (TFM 1600) membrane  
Item no. 400055  
Complete head 405541
- EPDM membrane  
Item no. 400052
- Silicone membrane  
Item no. 400051

**Other Data:**

Material: Steel parts AISI 301/303/316L  
Membranes: FDA approved compounds.  
EHEDG test report  
3A-certificate



Where to use :	All types of M4 valve bodies.
How to use :	Manually and pneumatically operated.
Temp. range:	1 <sup>0</sup> C - 130 <sup>0</sup> C
Max. working pressure:	0 - 6 bar (g)
Min./Max. air supply:	4 / 7 bar (g)
Lever is included.	