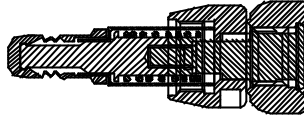
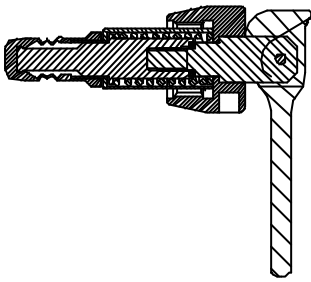


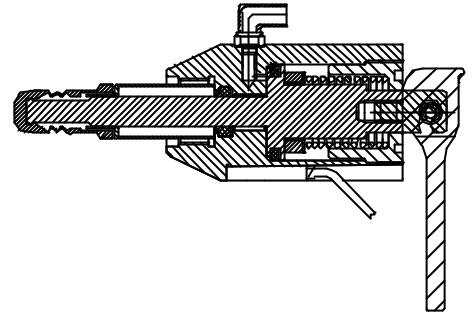
Valve head Type H  
Item no.: 855541



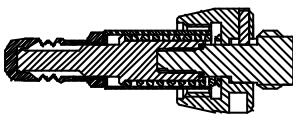
Valve head Type Q  
Item no.: 855543



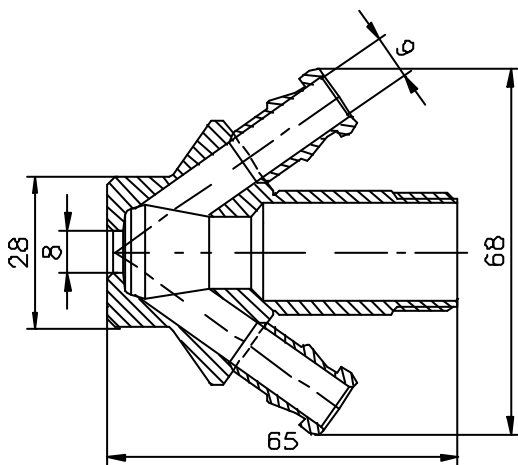
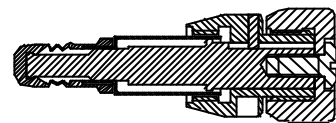
Valve head Type N  
Item no.: 855544



Valve head Type K  
Item no.: 855542



Valve head Type B  
Item no.: 855547



Where to use :	Tanks
Installation:	Welding
Temp. range:	1 <sup>0</sup> C - 130 <sup>0</sup> C
Max. working pressure:	Depends on choice of valve head.



**Inlet/outlet connections**  
**Standard**

Keofitt hose piece

**Optional**

Mini tri-clamp  
1/4" BSP  
M16x1.5 mm  
Ø11 mm pipe

**Other Data:**

Material: AISI 316L (1.4404)  
Inner surface: Ra 0.5 µm  
Material certificate: 3.1.B  
Electropolish outside standard  
Electropolish inside optional  
EHEDG test report  
3A-certificate