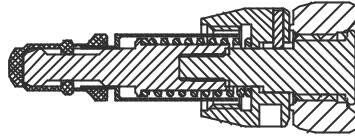
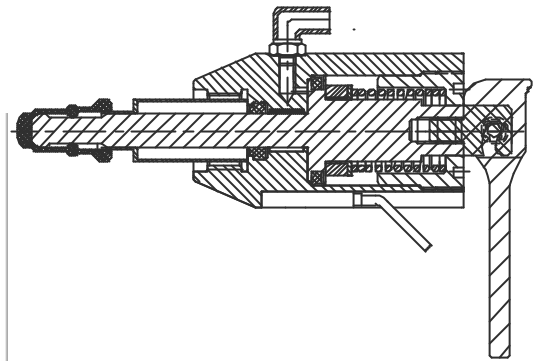


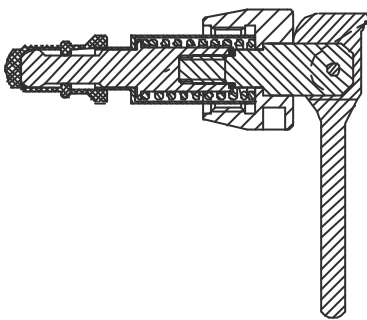
Valve head Type H
Item no.: 600041



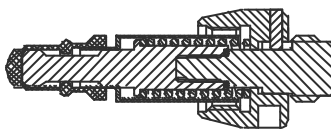
Valve head Type N
Item no.: 600044



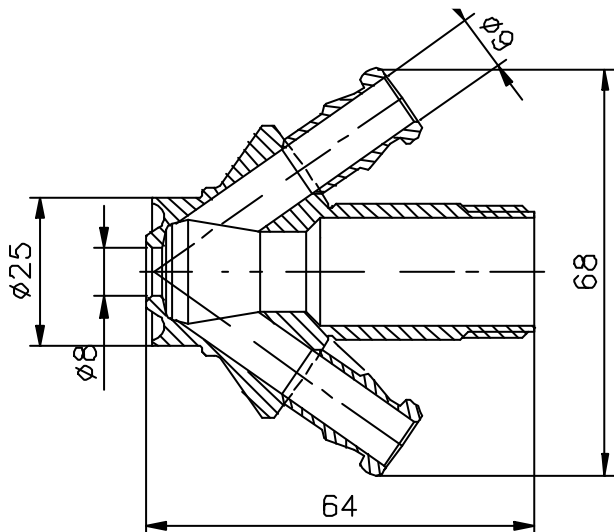
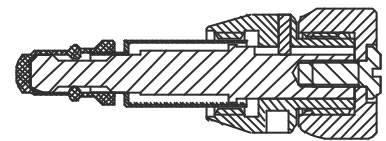
Valve head Type Q
Item no.: 600043



Valve head Type K
Item no.: 600042



Valve head Type B
Item no.: 600047



Where to use : Pipes
Installation: Welding
Temp. range: 1⁰ C - 130⁰ C
Max. working pressure: Depends on choice of valve head.

Inlet/outlet connections
Standard

Keofitt hose piece

Optional

Mini tri-clamp
1/4" BSP
M16x1.5 mm
Ø11 mm pipe

Other Data:

Material: AISI 316L (1.4404)
Inner surface: Ra 0.5 µm
Material certificate: 3.1.B
Electropolish outside standard
Electropolish inside optional
EHEDG test report
3A-certificate

