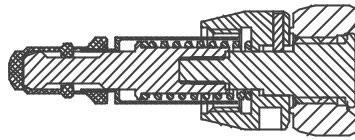
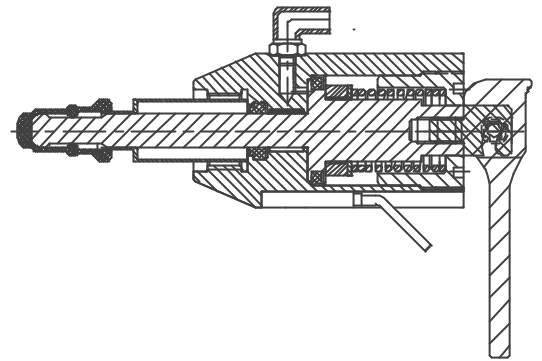


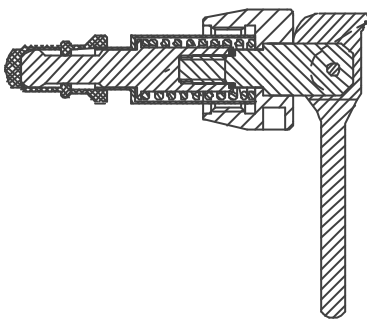
Valve head Type H
Item no.: 600041/
855541



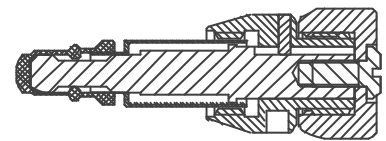
Valve head Type N
Item no.: 600044 /
855544



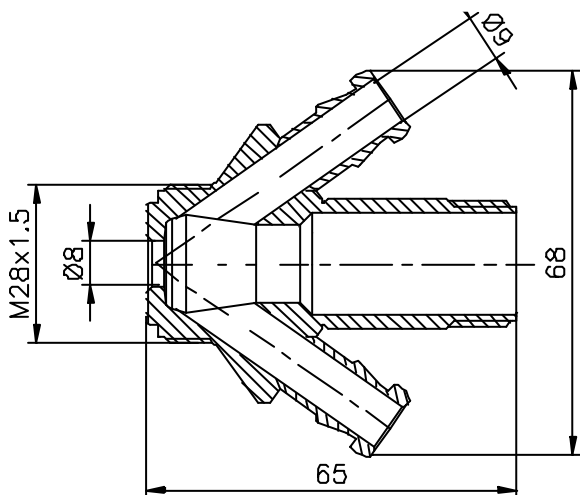
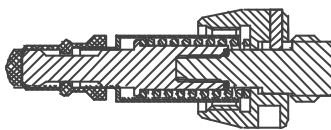
Valve head Type Q
Item no.: 600043/
855543



Valve head Type B
Item no.: 600047/
855547



Valve head Type K
Item no.: 600042/
855542



Where to use : Tanks (Sockets)
Installation: Welding
Temp. range: 1⁰ C - 130⁰ C
Max. working pressure: Depends on choice of valve head.

Socket for tank welding is included.

Option: Other threads on request.

Sockets for Alu-tanks.

Inlet/outlet connections
Standard

Keofitt hose piece

Optional

Mini tri-clamp
1/4" BSP
M16x1.5 mm
Ø11 mm pipe

Other Data:

Material: AISI 316L (1.4404)
Inner surface: Ra 0.5 µm
Material certificate: 3.1.B
Electropolish outside standard
Electropolish inside optional
EHEDG test report
3A-certificate

